

# DLA410 DLA series DLA410A

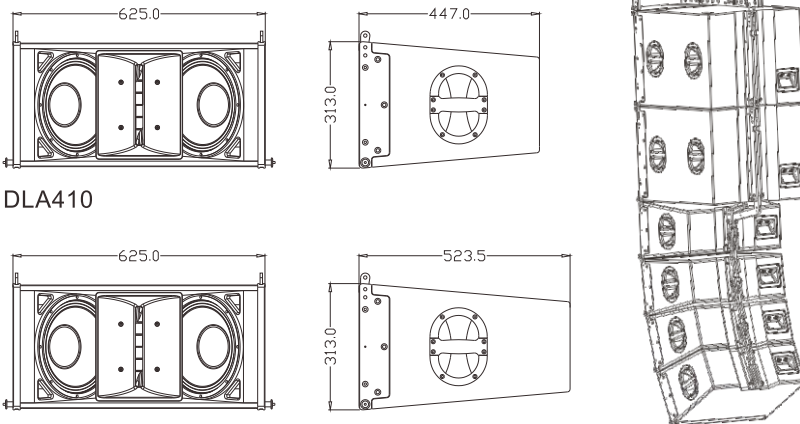
## Line Array System



**DLA410 is a compact, light weight, high SPL, 3-way line array speaker.** It features low distortion mid-bass unit, mid-high coaxial driver with special waveguide and horn, accurate coverage, uniform changes, three-point hanging system, the whole system installation is fast, stable and safe. Unit configuration: 2x10" high efficiency neodymium mid-bass units, 1x1.4" exit throat 90mm voice coil neodymium MF driver and 44mm HF driver coaxial neodymium unit. The cabinet is made of multilayer composite plywood with wear-resistant polyurea paint. DLA410A is an active line array speaker with two channels digital amplifier with DSP.

DLA410是一款设计紧凑的三分音线性阵列音箱，具有体积小、重量轻，声压级大等特点，应用低失真中低音单元，中高音同轴驱动器配上专用波导管及号角。覆盖精确、变化均匀。三点吊挂系统安装快捷、稳定、安全。单元配置：2只10"钕磁高效率中低音单元，1只1.4"喉口90芯中音、44芯高音同轴钕磁驱动器；箱体采用多层复合夹板，耐磨聚脲喷涂。DLA410A是一款两通道D类带DSP的有源音箱。

## CONFIGURATION



DLA410

DLA410A

## FEATURES

- Product parameters have been entered into EASE loudspeaker database
- Mid-high coaxial unit, real 3-way speaker, clear and powerful.
- Passive way, simple operation, save amplifiers
- Quick setup for hanging and stacking.
- Applications: theaters, concert halls, multifunction halls, lecture halls, auditoriums, stadiums, live houses, and touring

## 系统特征

- 产品参数已录入EASE扬声器数据库
- 中高音同轴驱动器：真正的三分频，清晰、明亮
- 内置分音：操作简单，节省功放及周边设备
- 多种组合使用方式：可吊挂、堆码，安装快捷、安全

## 适用范围

- 剧院、音乐厅、多功能厅、报告厅、礼堂、体育场馆
- 酒吧、LIVEHOUSE
- 流动演出



**MODEL**  
**FREQUENCY RESPONSE(-3dB)**  
**FREQUENCY RESPONSE(-10dB)**  
**DRIVERS**

**RATED POWER**  
**SENSITIVITY**  
**MAXIMUM SPL**  
**IMPEDANCE**  
**DISPERSION(-6dB)**

**CROSSOVER FREQUENCIES**  
**INPUT CONNECTORS**  
**PACKAGE SIZE**  
**NET WEIGHT**  
**GROSS WEIGHT**

**DLA410**  
60Hz-18kHz  
55Hz-20kHz  
2×10"(250mm)/3"voice coil LF  
1×1.4"(36mm)/3.5"voice coil MF  
1×1.4"(36mm)/1.7"voice coil HF  
500W RMS,2000W peak  
101dB 1watt/1meter  
127dB continuous,133dB peak  
8 ohms nominal  
Horizontal: 90°  
Vertical coverage: Varies,depending on array length and configuration  
700Hz, 6KHz passive  
2×Speakon NL4  
537mm×400mm×720mm  
26 kg/pc  
30 kg/pc

**DLA410A**  
60Hz-18kHz  
55Hz-20kHz  
2×10"(250mm)/3"voice coil LF  
1×1.4"(36mm)/3.5"voice coil MF  
1×1.4"(36mm)/1.7"voice coil HF  
300W/8Ω+800W/8Ω  
—  
127dB continuous,135 dB peak  
—  
Horizontal: 90°  
Vertical coverage: Varies,depending on array length and configuration  
—  
**INPUT TYPE:** Balanced Differential line  
537mm×400mm×720mm  
28 kg/pc  
32 kg/pc