



K series K115B II K115BAS II

Sub-woofer System

K115B II is a single 15" subwoofer, using 4" voice coil woofer, made of high quality plywood with polyurea waterproof paint. K115BAS II is equipped with SA2.68 digital amplifier module to be an active system with full range and sub outputs based on K115B II.

K115B II 是一款单15"超低音箱，采用一只15" 100芯高效率超低音单元，倒相式箱体设计，箱体采用多层复合夹板，聚脲喷涂。K115BAS II 是在K115B II 的基础上配置SA2.68功放组件，形成有源系统，具有全频和超低音输出功能。



FEATURES

- High quality plywood with wear-resistant and waterproof polyurea paint
- Bass reflex design
- Hidden and external connections
- High temperature 4"(100mm) voice coil
- Top hat fitting for pole mounting to K series
- To match K506 II /K606 II

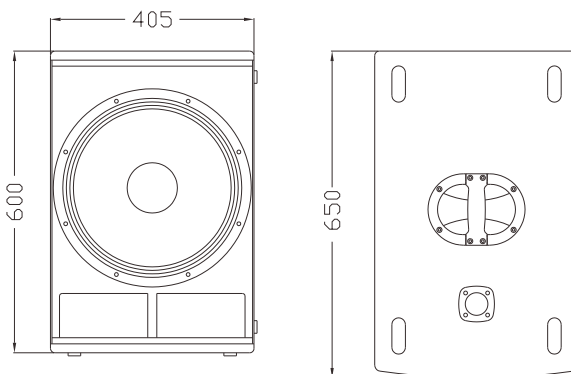
产品特点

- 高质量单元配置，多层复合夹板箱体聚脲喷涂
- 多种安装方式，操作简易快捷
- 开关电源数字功放，内置DSP信号处理
- 具有超低音及全频输出功能
- 隐藏及外部两种接线方式

适用范围

- 流动商演、教堂、会议室、多功能厅
- 配合K506 II /K606 II 使用，提升低频表现

CONFIGURATION



MODEL

FREQUENCY RESPONSE(-3dB)

DRIVERS

RATED POWER

SENSITIVITY

MAXIMUM SPL

IMPEDANCE

INPUT CONNECTORS

PACKAGE SIZE

NET WEIGHT

GROSS WEIGHT

K115B II

40Hz-300Hz

1×15"(385mm)/4"voice coil LF

600W RMS,2400W peak

99dB 1watt/1meter

127dB continuous,133dB peak

8 ohms nominal

2×Speakon NL4

740mm×495mm×695mm

35 kg/pc

39 kg/pc

K115BAS II

40Hz-300Hz and 50Hz-20kHz

1×15"(385mm)/4"voice coil LF

900W/4Ω+1200W/4Ω

--

127dB continuous,133dB peak

--

INPUT TYPE: Balanced Differential line

740mm×495mm×695mm

37 kg/pc

41 kg/pc