

# K series K118B II

## K118BAS II

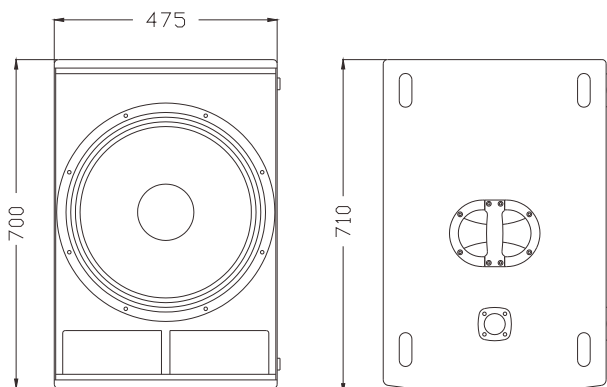
### Sub-woofer System

K118B II is a single 18" subwoofer, using 4" voice coil woofer, made of high quality plywood with polyurea waterproof paint. K118BAS II is equipped with SA2.68 digital amplifier module to be an active system with full range and sub outputs based on K118B II.

K118B II 是一款单18"超低音箱，采用一只18" 100芯高效率超低音单元，倒相式箱体设计，箱体采用多层复合夹板，聚脲喷涂。K118BAS II 是在K118B II 的基础上配置SA2.68功放组件，形成有源系统，具有全频和超低音输出功能。



#### CONFIGURATION



#### FEATURES

- High quality plywood with wear-resistant and waterproof polyurea paint
- Bass reflex design
- Hidden and external connections
- High temperature 4"(100mm) voice coil
- Top hat fitting for pole mounting to K series
- To match K606 II /K806 II

#### 产品特点

- 高质量单元配置，多层复合夹板箱体聚脲喷涂
- 多种安装方式，操作简易快捷
- 开关电源数字功放，内置DSP信号处理
- 具有超低音及全频输出功能
- 隐藏及外部两种接线方式

#### 适用范围

- 流动商演、教堂、会议室、多功能厅
- 配合K606 II /K806 II 使用，提升低频表现

#### MODEL

#### FREQUENCY RESPONSE(-3dB)

#### DRIVERS

#### RATED POWER

#### SENSITIVITY

#### MAXIMUM SPL

#### IMPEDANCE

#### INPUT CONNECTORS

#### PACKAGE SIZE

#### NET WEIGHT

#### GROSS WEIGHT

#### K118B II

35Hz-300Hz

1×18"(460mm)/4"voice coil LF

600W RMS,2400W peak

99dB 1watt/1meter

127dB continuous,133dB peak

8 ohms nominal

2×Speakon NL4

802mm×567mm×789mm

42 kg/pc

47 kg/pc

#### K118BAS II

35Hz-300Hz and 50Hz-20kHz

1×18"(460mm)/4"voice coil LF

900W/4Ω+1200W/4Ω

--

127dB continuous,133dB peak

--

INPUT TYPE: Balanced Differential line

802mm×567mm×789mm

44 kg/pc

49 kg/pc