



# LHseries LH10

## Two-way Loudspeaker System

### FEATURES

- High quality plywood with special environmental protection paint
- Rotatable 90°×50° horn
- Flexible mounting options
- Top hat fitting for tripod
- Light weight, convenient to move and fix installation
- Used for moving performance, multi-purpose hall, conference room, hotel, KTV and band

### 产品特点

- 高质量单元配置，高强度夹板箱体
- 体积小、重量轻便于搬运和固定安装
- 多吊挂点与支撑配合，操作简便快捷
- 超长品质保证期：品质与信心的保证

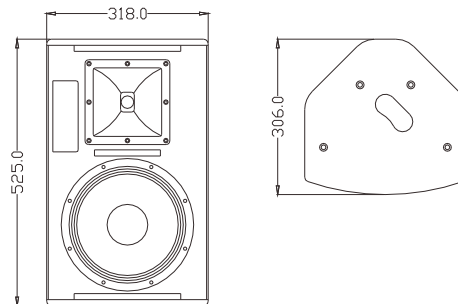
### 适用范围

- 用于全音域扩声、语言会议系统、高级卡拉OK包房
- 多功能厅、高级酒店会所
- 流动商演、乐队扩声以及舞台返送音箱

**The LH10** is an all-purpose 2-way full-range loudspeaker designed for near-field contracting applications. Fitted with one 10" neodymium woofer and one 1" exit neodymium compression driver coupled to a rotatable horn.

LH10是一款10"两分音全音域音箱，采用一只10"强磁高效率低音单元，一只1"喉口44芯强磁高分子聚酯膜高音驱动器配置90°×50°可旋转号角，箱体采用多层复合夹板，特殊环保喷涂制作。

### CONFIGURATION



<b>FREQUENCY RESPONSE(-3dB)</b>	60 Hz-18kHz
<b>DRIVERS</b>	1×10"(250mm)/3"voice coil LF 1×1"(25mm)/1.7"voice coil HF
<b>RATED POWER</b>	250W RMS,1000W peak
<b>SENSITIVITY</b>	96dB 1watt/1 metre
<b>MAXIMUM SPL</b>	120dB continuous,126 dB peak
<b>IMPEDANCE</b>	8 ohms nominal
<b>DISPERSION(-6dB)</b>	90°×50°
<b>CROSSOVER FREQUENCIES</b>	2.5kHz passive
<b>INPUT CONNECTORS</b>	2×Speakon NL4
<b>PACKAGE SIZE</b>	391mm×380mm×605mm
<b>NET WEIGHT</b>	13 kg/pc
<b>GROSS WEIGHT</b>	14 kg/pc