

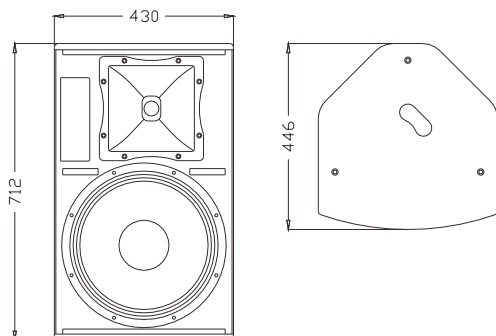
LHseries LH15 II

Two-way Loudspeaker System

The LH15 II is a 15", light weight, high SPL, two way full range speaker with bright and powerful sound. Unit configuration: 1x15" high efficiency neodymium mid-bass unit, 1x1.4" exit throat 75mm neodymium composite diaphragm HF driver with 90°×40° rotatable horn. The cabinet is made of multilayer composite plywood with wear-resistant polyurea paint.

LH15 II 是一款15"两分音全频音箱，具有重量轻、声压级大、声音明亮有力度等特点。单元配置：1只15"钕磁高效率低音单元，1只1.4"喉口75芯钕磁复合膜高音驱动器配置90°×40°可旋转号角。箱体采用多层复合夹板，耐磨聚脲喷涂。

CONFIGURATION



FEATURES

- High quality unit configuration, high strength plywood housing
- Small size, light weight, easy handling and fixed installation
- Multi-hanging points and support, easy and quick operation
- Applications: large-scale indoor sound reinforcement, multifunction halls, high-end hotel clubs, touring, band reinforcement and monitor speaker

产品特点

- 高质量单元配置，高强度夹板箱体
- 重量轻便于搬运和固定安装
- 多吊挂点与支撑配合，操作简易快捷

适用范围

- 大型室内扩声补声
- 多功能厅、高级酒店会所
- 流动商演、乐队扩声以及舞台返送音箱



MODEL
FREQUENCY RESPONSE(-3dB)
FREQUENCY RESPONSE(-10dB)
DRIVERS

RATED POWER
SENSITIVITY
MAXIMUM SPL
IMPEDANCE
DISPERSION(-6dB)
CROSSOVER FREQUENCIES
INPUT CONNECTORS
PACKAGE SIZE
NET WEIGHT
GROSS WEIGHT

LH15 II
 45 Hz-18kHz
 40 Hz-20kHz
 1×15"(385mm)/3"voice coil LF
 1×1.4"(36mm)/3"voice coil HF
 400W RMS,1600W peak
 98dB 1watt/1 metre
 124dB continuous,130 dB peak
 8 ohms nominal
 90°×40°
 1.5kHz passive
 2×Speakon NL4
 540mm×525mm×812mm
 23 kg/pc
 26 kg/pc