

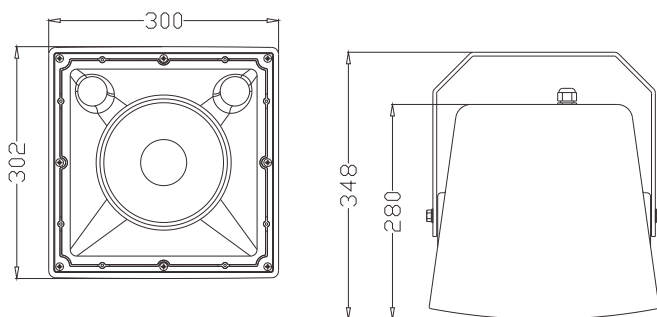
# LTseries LT208 LT208T

## Two-way Loudspeaker System

**LT208 is a 8",coaxial, two-way, all-weather speaker**, with waterproof, dustproof, windproof, anti-uv aging, specially designed dustproof and waterproof cover for input and output, has a pressing device, multi-layer different functional grille. The cabinet meets the IP56 standard. The exposed metal parts are made of stainless steel or aluminum, and the mounting bracket is sprayed with low-carbon steel, which can meet all-weather use (the version suitable for the marine environment can be customized, and the mounting bracket is upgraded to 316 stainless steel). Unit configuration: 1x8" ferrite mid-bass and 1x 1" exit throat 34mm HF driver coaxial unit, the cabinet is made of polymer compound injection molding. LT208T is equipped with transformer and band switch based on LT208 to achieve a variety of different output powers including constant resistance.

LT208是一款8"同轴两分音、全天候音箱，具有防水、防尘、防风、抗紫外线老化、输入输出用专门设计的防尘防水盖板，并有迫紧装置，多层不同功能面网设计。产品满足IP56标准，外露金属件采用不锈钢或铝质喷涂，安装支架为低碳钢喷涂满足全天候使用(可以定制适应海洋环境的版本，安装支架升级为316不锈钢)，单元配置：1只8"铁氧体中低音与1"喉口34芯高音驱动器组成的同轴单元，箱体采用高分子化合物射出成型。LT208T是在LT208的基础上配置音频变压器及波段开关，实现多种不同输出功率包括定阻。

### CONFIGURATION



### FEATURES

- Pass IP56 testing, meet all-weather use
- The cabinet is made of polymer compound injection molding
- Coaxial point sound source
- Horn-loaded design
- Applications: outdoor restaurants, bars, parks, near-filled sound reinforcement of scenic areas, houseboats and seashores (customized)

### 产品特点

- 产品通过IP56测试，满足全天候使用
- 箱体采用高分子化合物射出成型
- 同轴点声源
- 号角负载设计

### 适用范围

- 户外餐厅、酒吧
- 主题公园、景区近场扩声
- 游艇、海边户外近场扩声（需定制）

#### MODEL

FREQUENCY RESPONSE(-3dB)

FREQUENCY RESPONSE(-10dB)

DRIVERS

INPUT VOLTAGE

RATED POWER

SENSITIVITY

MAXIMUM SPL

IMPEDANCE

DISPERSION(-6dB)

CROSSOVER FREQUENCIES

INPUT CONNECTORS

PACKAGE SIZE

NET WEIGHT

GROSS WEIGHT

#### LT208

80Hz-18kHz

75Hz-20kHz

1×8" (200mm)/2" voice coil LF

1×1" (25mm)/1.4" voice coil HF

--

150W RMS,600W peak

96dB 1watt/1 metre

118dB continuous,124dB peak

8 ohms nominal

80°×80°

2.5kHz passive

covered barrier strip terminals

362mm×332mm×335mm

10 kg/pc

12 kg/pc

#### LT208T

80Hz-18kHz

75Hz-20kHz

1×8" (200mm)/2" voice coil LF

1×1" (25mm)/1.4" voice coil HF

100V

37.5W/75W/150W/OFF/8Ω

96dB 1watt/1 metre

118dB continuous,124dB peak

8 ohms nominal

80°×80°

2.5kHz passive

covered barrier strip terminals

362mm×332mm×335mm

11 kg/pc

13 kg/pc