



pro audio



# Qs series QS15 II

## Two-way Loudspeaker System

### FEATURES

- High quality plywood with special environmental protection paint
- Wide-bandwidth system
- Rotatable (50-100)° × 55° horn
- Flexible mounting options
- Top hat fitting for tripod

### 产品特点

- 高质量单元配置，高强度夹板箱体
- 多吊挂点与支撑配合，操作简易快捷
- 超长品质保证期：品质与信心的保证

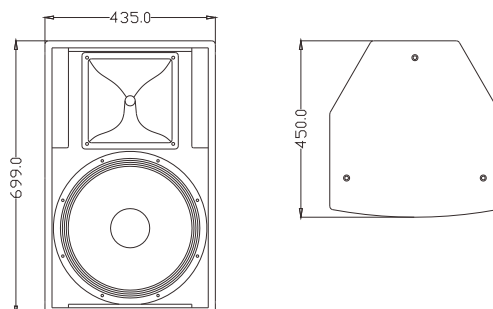
### 适用范围

- 用于全音域扩声、高级卡拉OK包房、慢摇吧
- 多功能厅、高级酒店会所
- 流动商演、乐队扩声以及舞台返送音箱

The QS15 II is the larger cabinet delivers really solid low end performance from a trapezoidal cabinet, suitable for most mid-field applications it can be used as a stand-alone full-range loudspeaker.

QS15 II 是一款15"两分音全音域音箱。采用一只15"高效率低音单元，一只1"喉口44芯高分子聚酯膜高音驱动器配置(50-100)° × 55°可旋转号角，箱体采用多层复合夹板，水性环保喷涂制作。

### CONFIGURATION



<b>FREQUENCY RESPONSE(-3dB)</b>	40 Hz-18kHz
<b>FREQUENCY RESPONSE(-10dB)</b>	35 Hz-20kHz
<b>DRIVERS</b>	1 × 15" (385mm) / 3" voice coil LF 1 × 1" (25mm) / 1.7" voice coil HF
<b>RATED POWER</b>	400W RMS, 1600W peak
<b>SENSITIVITY</b>	98dB 1watt/1 metre
<b>MAXIMUM SPL</b>	124dB continuous, 130 dB peak
<b>IMPEDANCE</b>	8 ohms nominal
<b>DISPERSION(-6dB)</b>	(50-100)° × 55°
<b>CROSSOVER FREQUENCIES</b>	2.2kHz passive
<b>INPUT CONNECTORS</b>	2 × Speakon NL4
<b>PACKAGE SIZE</b>	570mm × 530mm × 820mm
<b>NET WEIGHT</b>	29 kg/pc
<b>GROSS WEIGHT</b>	32 kg/pc