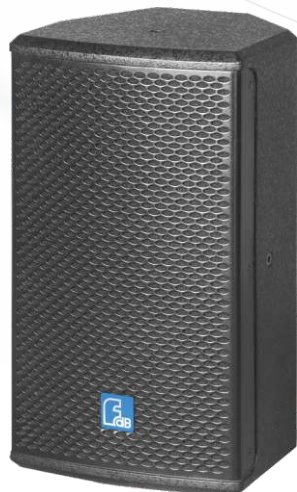




pro audio



U series U108VI

Two-way Loudspeaker System

The U108VI is a 8", small sized, light weight, two way full range speaker with balanced sound. Unit configuration: 1x8" high efficiency mid-bass unit, 1x1" exit throat 25mm mylar diaphragm HF driver with 90°x50° rotatable horn. The cabinet is made of multilayer composite plywood with wear-resistant polyurea paint.

U108VI是一款8"两分音全频音箱，具体体积小，重量轻，音质平衡等特点。单元配置：1只8"高效率中低音单元，1只1"喉口25芯高分子聚酯膜高音驱动器配置90°x50°可旋转号角。箱体采用多层复合夹板，耐磨聚脲喷涂。

FEATURES

- High quality unit configuration, high strength plywood housing
- Small size, light weight, easy handling and fixed installation
- Multi-hanging points and support, easy and quick operation
- Applications: speech reinforcement, conference rooms, background music, bars and monitor speaker for small stage

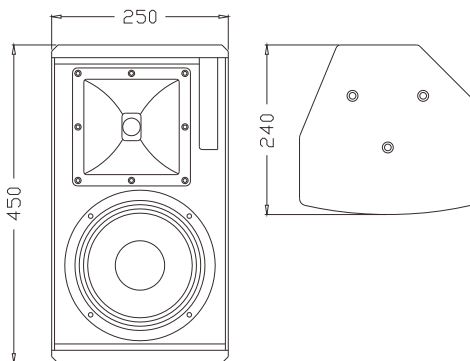
产品特征

- 高质量单元配置，高强度夹板箱体
- 体积小、重量轻便于搬运和固定安装
- 多吊挂点与支撑配合，操作简易快捷

适用范围

- 语言扩声、会议室
- 背景音乐，酒吧
- 小型舞台返送音箱

CONFIGURATION



MODEL

FREQUENCY RESPONSE(-3dB)

FREQUENCY RESPONSE(-10dB)

DRIVERS

RATED POWER

SENSITIVITY

MAXIMUM SPL

IMPEDANCE

DISPERSION(-6dB)

CROSSOVER FREQUENCIES

INPUT CONNECTORS

PACKAGE SIZE

NET WEIGHT

GROSS WEIGHT

U108VI

60 Hz-18kHz

55 Hz-20kHz

1×8"(200mm)/2"voice coil LF

1×1"(25mm)/1"voice coil HF

150W RMS,600W peak

93dB 1watt/1 metre

115dB continuous,121 dB peak

8 ohms nominal

90°x50°

2.8kHz passive

Covered barrier strip terminals

330mm×320mm×540mm

10 kg/pc

12 kg/pc

