

U series U112HVI

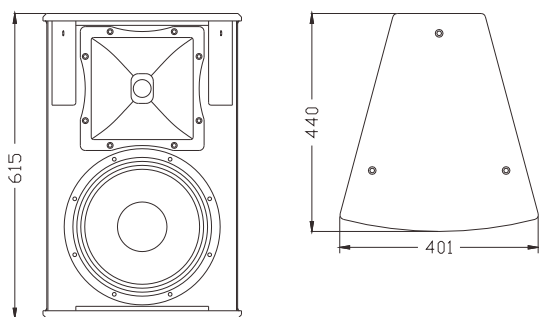
Two-way Loudspeaker System

The U112HVI is a 12", high power, two way full range speaker with bright and powerful sound. Unit configuration: 1x12" high efficiency mid-bass unit, 1x1.4" exit throat 75mm composite diaphragm HF driver with 90°x40° rotatable horn. The cabinet is made of multilayer composite plywood with wear-resistant polyurea paint.

U112HVI是一款12"两分音全频音箱，具有高功率，大输出、音质明亮有力等特点。单元配置：1只12"高效率中低音单元，1只1.4"喉口75芯复合振膜高音驱动器配置90°x40°可旋转号角。箱体采用多层复合夹板，耐磨聚脲喷涂。



CONFIGURATION



FEATURES

- High quality unit configuration, high strength plywood housing
- Multi-hanging points and support, easy and quick operation
- Applications: large-scale indoor sound reinforcement, multifunction halls, high-end hotel clubs, touring, band reinforcement and monitor speaker

产品特征

- 高质量单元配置，高强度夹板箱体
- 多吊挂点与支撑配合，操作简单快捷

适用范围

- 大型室内扩声补声
- 多功能厅、高级酒店会所
- 流动商演、乐队扩声以及舞台返送音箱



MODEL
FREQUENCY RESPONSE(-3dB)
FREQUENCY RESPONSE(-10dB)
DRIVERS

RATED POWER
SENSITIVITY
MAXIMUM SPL
IMPEDANCE
DISPERSION(-6dB)
CROSSOVER FREQUENCIES
INPUT CONNECTORS
PACKAGE SIZE
NET WEIGHT
GROSS WEIGHT

U112HVI
50 Hz-18kHz
45 Hz-20kHz
1×12"(300mm)/3"voice coil LF
1×1.4"(36mm)/3"voice coil HF
450W RMS,1800W peak
97dB 1watt/1 metre
124dB continuous,130 dB peak
8 ohms nominal
90°×40°
1.5kHz passive
2×Speakon NL4
530mm×495mm×710mm
25 kg/pc
29 kg/pc