

U series U118SAS

Sub-woofer System



The **U118SAS** is a single 18" low frequency enclosure designed for sub-bass reinforcement to U compact series in a wide variety of fixed installation, made of high quality plywood. U118SAS is equipped with SA3.448 digital amplifier module to be an active system with left & right side full range output and sub output based on U118S.

U118SAS是一款单18"有源音箱系统，采用一只18" 100芯高效率超低音单元，倒相式箱体设计，箱体采用多层复合夹板，水性环保喷涂制，配置SA3.448成为有源系统。



FEATURES

- High quality plywood with special environmental protection paint
- Bass reflex design
- High temperature 4"(100mm) voice coil
- Top hat fitting for pole mounting to U110V /U112V

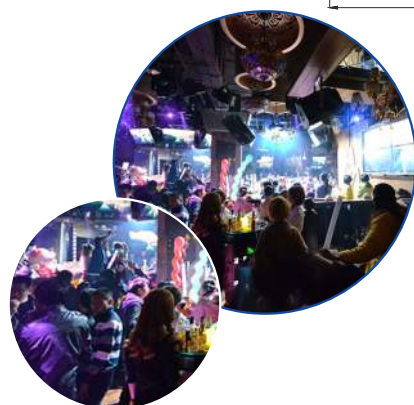
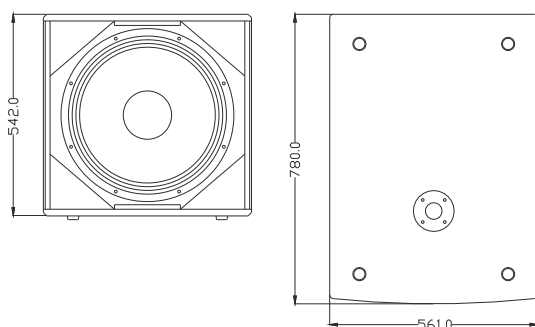
产品特点

- 数字功放，内置DSP信息处理器
- 具有超低音及左右两通道全频功率输出功能
- 可与多种全频音箱组合，操作简易快捷
- 高质量单元配置，高强度夹板箱体
- 超长品质保证期：品质与信心的保证

适用范围

- 中小型流动商演、乐队扩声
- 会议室、多功能厅

CONFIGURATION



MODEL	U118SAS
FREQUENCY RESPONSE(-3dB)	35Hz-300Hz and 50Hz-18kHz
DRIVERS	1×18"(460mm)/4"voice coil LF
RATED POWER	2x400W/8Ω+1200W/4Ω
SENSITIVITY	--
MAXIMUM SPL	128dB continuous,134dB peak
IMPEDANCE	--
INPUT CONNECTORS	Balanced Differential line
PACKAGE SIZE	880mm×660mm×655mm
NET WEIGHT	42 kg/pc
GROSS WEIGHT	50 kg/pc